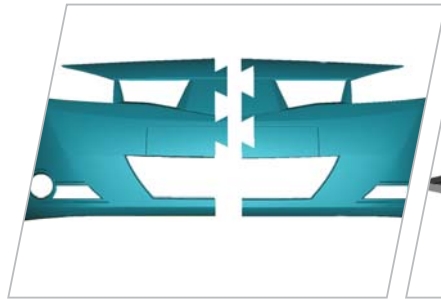
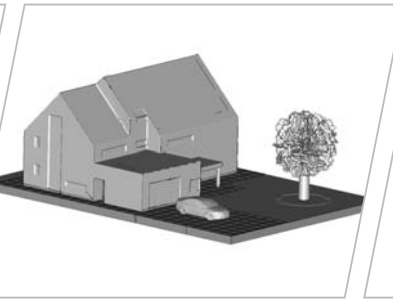


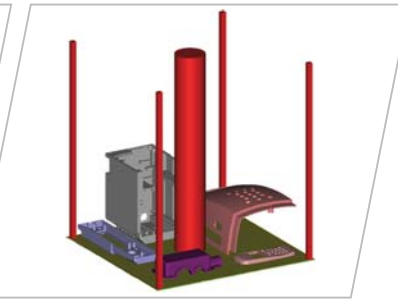
**All of these features and more:  
to guide you through your workflow**



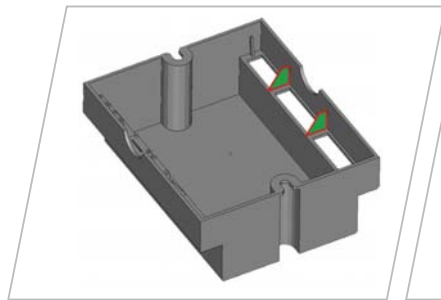
Cut large parts in a smart way



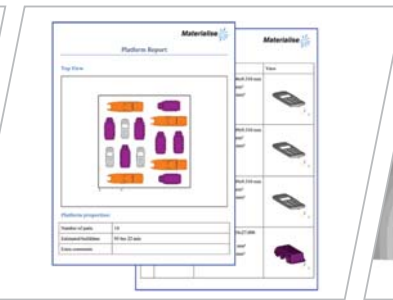
Fix complex parts quickly with shrinkwrap



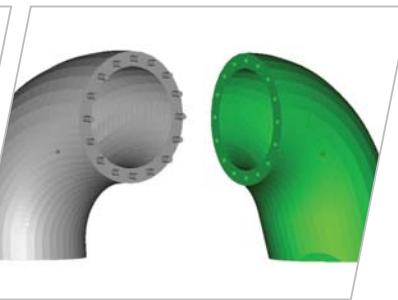
Define no-build zones on your platform



Avoid errors with wall thickness analysis



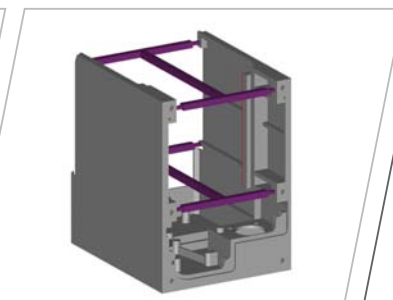
Generate customizable reports



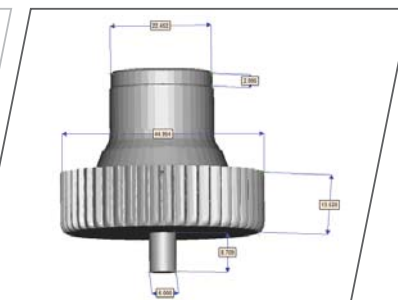
Automatically add connector pins to cut parts



Add unique labels to each part



Avoid deformation by adding props



Check the dimensions of your parts

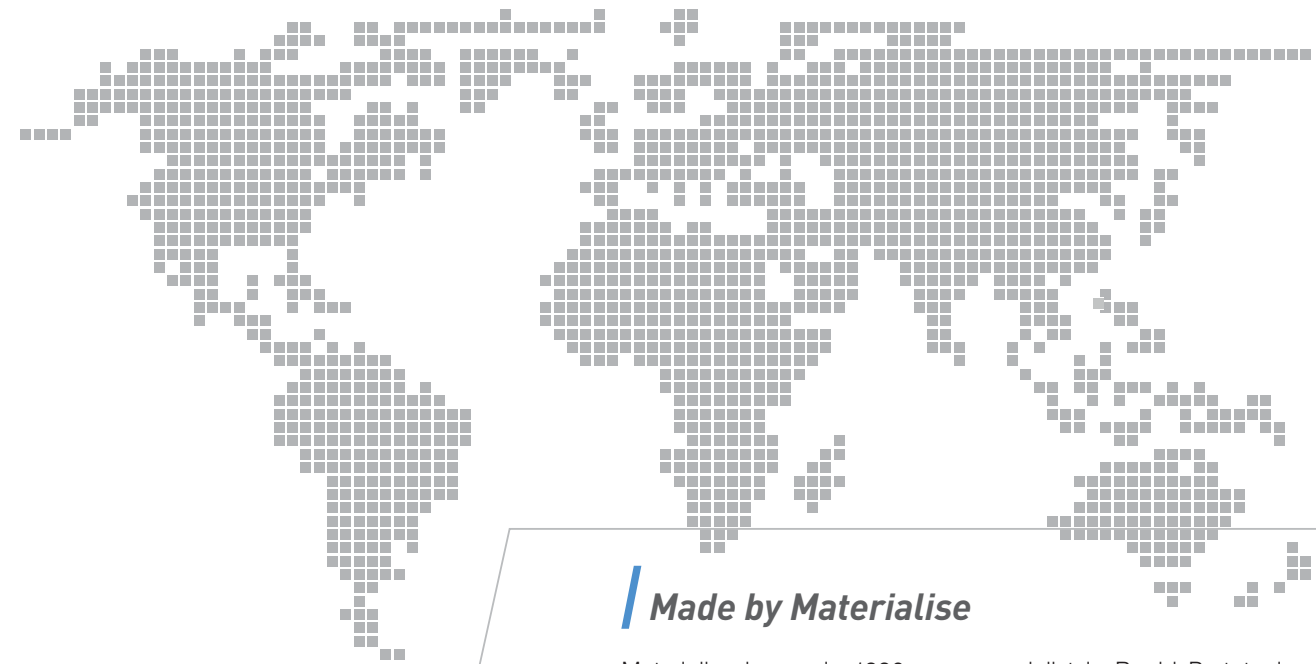
Visit [www.materialise.com/magics](http://www.materialise.com/magics) for:

- more information
- interesting case studies
- a free evaluation
- product videos
- software demonstrations
- additional software solutions

Or contact us via [software@materialise.be](mailto:software@materialise.be)

### Why do AM professionals choose Magics?

- to have a complete solution for the entire AM process
- to improve communication throughout their entire organization/process
- to visualize, analyze, and optimize STL/CAD data and AMF (Additive Manufacturing File Format) both easily and efficiently
- to reduce time to market for their products
- to increase machine capacity
- to access global technical support in local languages
- to receive comprehensive and thorough training
- to be backed by the largest development team in the market
- to have a business partner, not just a vendor



### Made by Materialise

Materialise began in 1990 as a specialist in Rapid Prototyping (RP) and Additive Manufacturing (AM) and has grown into the market leader for 3D printing and Digital CAD software. Materialise has a state-of-the-art AM facility with numerous technologies which allows our team to become industry experts. With an intimate knowledge of all the technologies and bottlenecks in AM, our software development staff (the largest in the sector) stay ahead of the trends with revolutionary solutions that drive down costs and increase efficiency.

The need for automation, process optimization, traceability, and quality control has made the Materialise offering a necessity for all internal and external service bureaus. Materialise products are used in numerous industries including automotive, aerospace, medical, and consumer products as well as in renowned hospitals, universities, research institutes, and clinical environments. With so much knowledge at hand, Materialise has become a trusted partner for customers around the world. Having several subsidiaries in Europe, Asia and the United States, our team is ready to provide a comprehensive and essential range of integrated solutions for your additive manufacturing operations.



# Magics

Premier Software for  
Additive Manufacturing Professionals



[www.materialise.com](http://www.materialise.com)

**Materialise**  
driving your innovations

# Magics

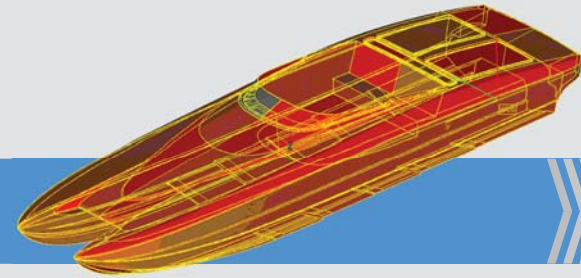
## Premier Software for Additive Manufacturing Professionals

The key to success in the world of Additive Manufacturing (AM) is having the right tools. Magics is the ideal software solution for driving efficiency throughout your entire AM process. From importing data, to preparing platforms, to post-processing, AM professionals rely on the extensive tools in Magics for all of their software needs. Discover for yourself how this smart and user-friendly program will facilitate each step of your workflow.

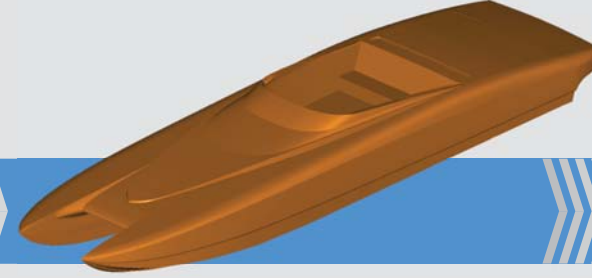
*We receive files from outside sources that need substantial CAD time to create a watertight model. Magics allows us to do this in half the time.*

Paul Bates, Director, Advanced Process Engineering and  
Gary Rabinovitz, RP Manager  
Reebok International Ltd., Canton, Massachusetts, United States

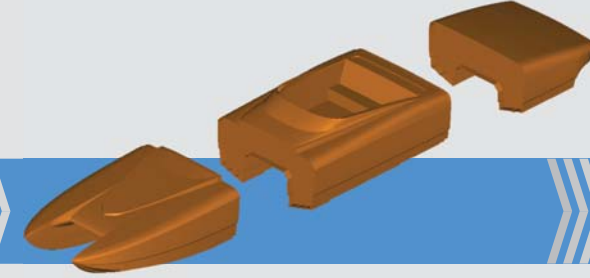
### Maintain control of your data



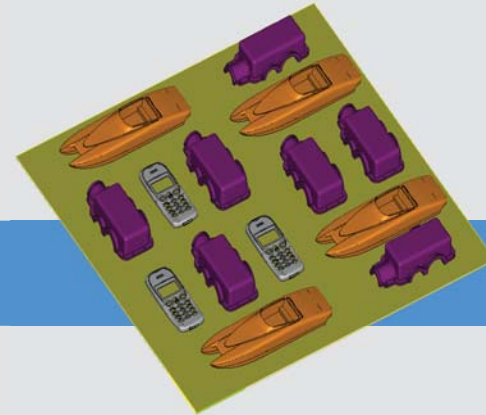
### Ensure better prints and successful builds



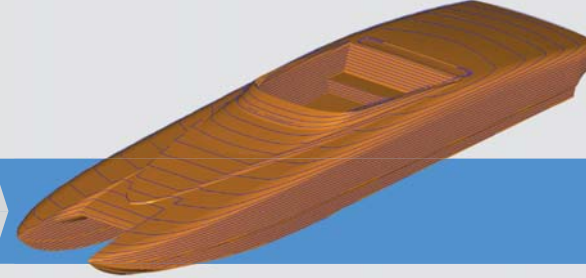
### Take your design to the next level



### Optimize your build platform



### Bring your design to life



#### Import files

Whether you are using traditional CAD or other packages such as Google SketchUp, SolidWorks or Rhino, Magics provides numerous import options.

- Stay in control of your original data by importing nearly all file formats
- Manage the resolution of your data while importing
- Import native color information

#### Fix and prepare files

Magics is renowned in the industry as the most comprehensive and efficient software for file preparation. Flipped triangles, bad edges, holes, and other defects are no match for Magics. The automated functionalities for analyzing and processing data allow you to focus on other aspects of your AM process.

- Customize the user-friendly interface to create short-cuts for your workflow
- Create watertight, manageable data with automated tools like shrinkwrap
- Analyze wall thickness and correct problem areas with easy offsets to avoid build crashes
- Reduce the number of triangles, smooth and refine without losing definition

#### Enhance and edit data

With Magics, you have the ability to optimize your model for building.

- Add logos, series numbers or other labels that are normal to the surface
- Apply textures by importing a file or applying an image onto your model's surface
- Perform Boolean operations to add or remove volumes
- Hollow parts to save on material costs and to decrease build-time
- Perform advanced cuts, cuts with integrated connector pins, or drainage perforations to optimize build

#### Prepare the platform

Optimization is key in the world of AM. Magics is the ideal tool for modifying your data for a specific AM process/technology. Whenever you need to duplicate your parts, or orient those parts in an ideal way, Magics has the tools you need.

- Create a virtual build platform with part copies, proper clearances and no-build zones
- Use the orientation analyzer to position your part for a build that is optimized according to your needs

#### Print better parts

Now that you're ready to print, you can double-check your build platform before printing.

- View slices, automatically detect collisions and ensure parts are within the build platform
- Save platforms and generate useful reports to increase communication

### Specialized modules to meet your specialized needs

#### Support Generation Module

Ensure perfect parts and reduce crashes.

- Stereolithography - Automatically generate/edit supports with customizable parameters
- Metal - Decrease post-processing time and manage internal tensions

#### Sinter Module

Save time, money, and material by optimizing builds.

- Automate 3D nesting based on part geometry

#### Fit2Ship Module

Be sure your part is accurate and arrives safely.

- RapidFit - Quickly design cost-effective fixtures for part measurement, assembly, shipping and display
- FormFit - Design custom foam blocks for safe transportation

#### Internal Structures Module

Improve part performance with light-weight structures.

- Reduce weight, maintain strength and save materials

#### Material Development Research Module

Stabilize your AM process and investigate scanning methodologies.

- Optimize build parameters in the development and qualification of materials

### Customer support: building a partnership you can rely on

At Materialise, having a maintenance contract means more than just receiving the latest versions of our software. As a maintenance customer, you can participate in update training to learn the latest features of our software and have full access to the Magics User Community. Our application engineers are always available to answer your questions, helping you avoid breakdowns and keep your production on track.

*Magics is the most user-friendly file fixing software we've used and the support we've experienced has always been quick, professional and the assistance provided is sometimes beyond what we could wish for.*

Gary Miller,  
Head of 3D Printing and Rapid Prototyping  
Nazeing, United Kingdom

### Training and consulting: expand your skills and improve your process

To improve your efficiency, we offer comprehensive training on a regular basis at our offices around the world. We can also provide customized training at your facility. In addition, Materialise experts are always available to analyze your process and make recommendations for how to eliminate your bottlenecks. Let us be your partner in success.

*This was two days of the best industry training I've had in 30 years while working in manufacturing engineering/CAD/CAM.*

Dr. Michael Ehrlinger,  
CAD/CAM School of Applied & Information Technology  
Baltimore, Maryland, United States